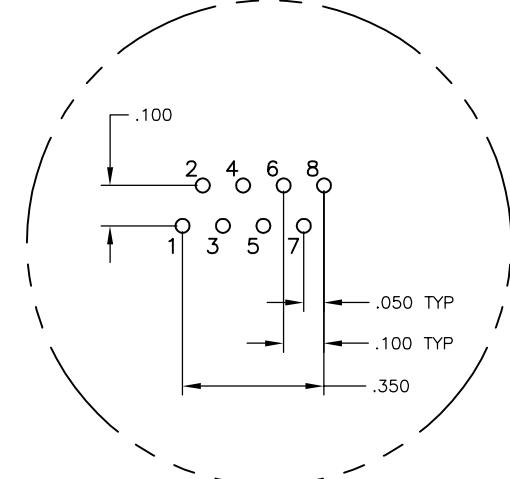
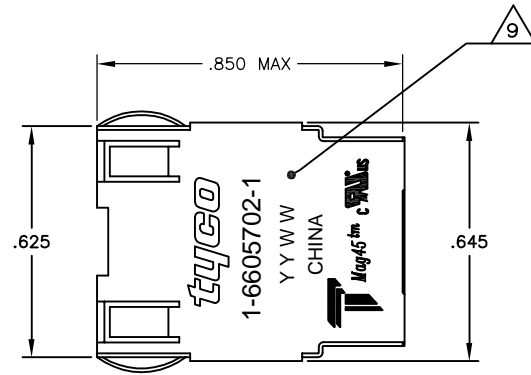
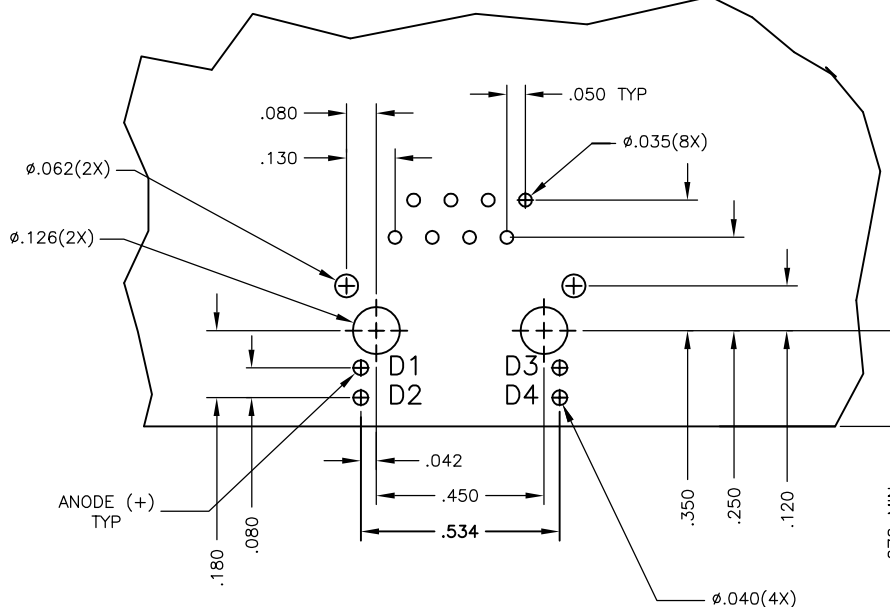
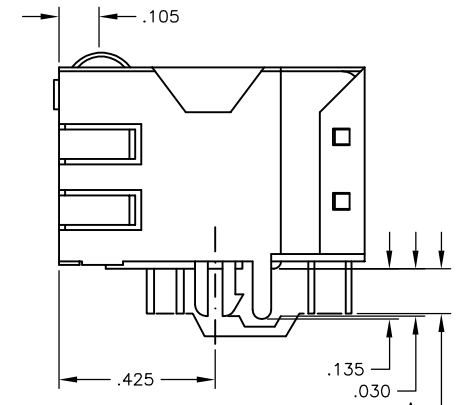
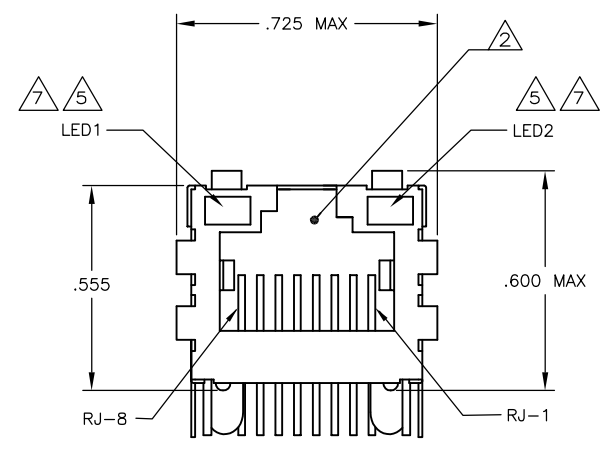


LOC		DIST		REVISIONS			
P	LR	DESCRIPTION	DATE	DR	APPD	REV	PER
C		REV PER ECO-08-000111	03JAN2008	RQ	TX		

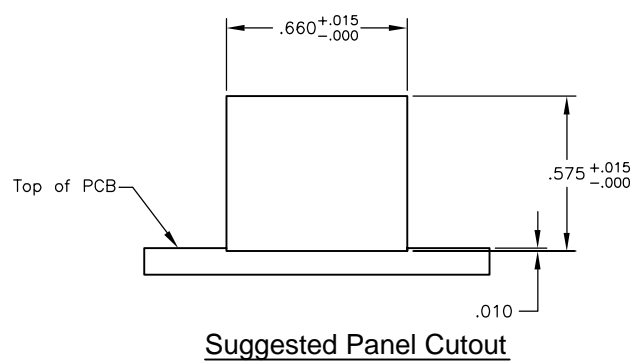
MECHANICAL:



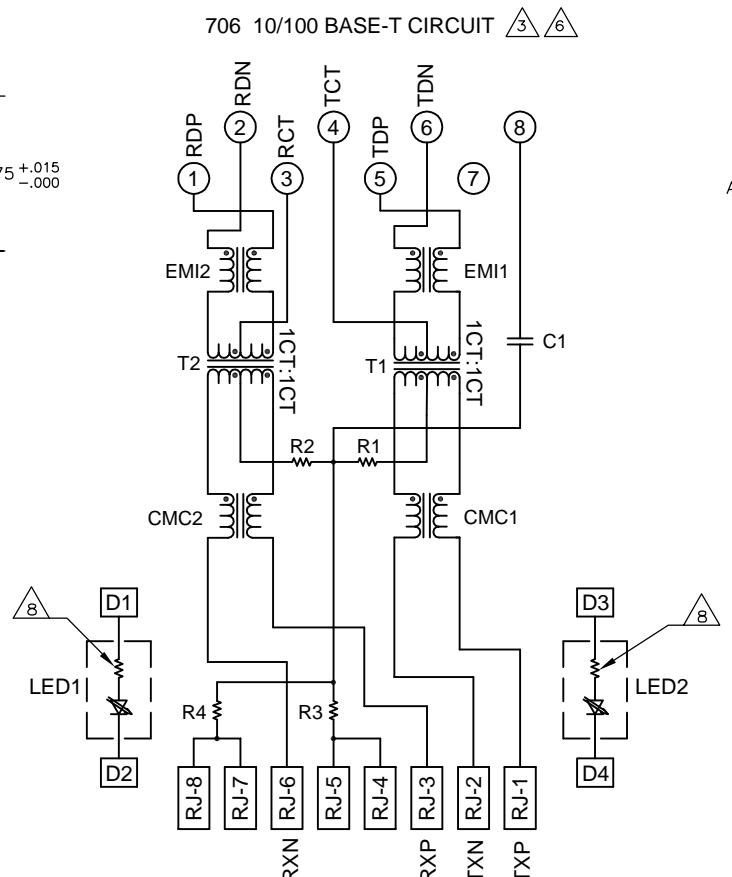
Pin Designations



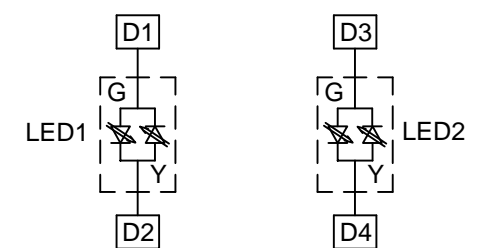
Suggested PCB Layout (Component Side)



Suggested Panel Cutout



C1 = 1000 pF, 2KV DECOUPLING CAPACITOR.  
 R1-R4 = 75 OHMS, 1/16 W, RESISTORS.



LED CONFIGURATION FOR BI-COLOR

- MATERIALS: HOUSING - THERMOPLASTIC PET POLYESTER FLAMMABILITY RATING UL 94V-0. SHIELD - .010" THICK, C26800 BRASS PREPLATED WITH 30μinch SEMI-BRIGHT NICKEL; SOLDER TABS POST-DIPPED WITH 100μinch MIN SAC SOLDER. MOD JACK CONTACTS - .0157" x .018" THICK, PHOSPHOR BRONZE, 50μinch MIN OVERALL NICKEL UNDERPLATE, WITH SELECT 50μinch MIN HARD GOLD FINISH PLATE. SOLDER TAILS WITH 100μinch MIN MATTE TIN AND/OR SAC SOLDER DIP. LIGHT EMITTING DIODE(LED) - DIFFUSED EPOXY LENS, .020" x .020" CARBON STEEL WIREFRAME LEADS PREPLATED WITH 80μinch SILVER OVER 40μinch NICKEL UNDERPLATE OVER 40μinch COPPER UNDERPLATE; POST-PLATED WITH 100μinch MIN MATTE TIN AND/OR SAC SOLDER DIP OR PURE TIN SOLDER DIP.
- RJ45 JACK CAVITY CONFORMS TO FCC RULES AND REGULATIONS PART 68, SUB PART F.
- MAGNETICS:
  - APPLICATION: 10/100 BASE-T
  - IMPEDANCE: 100 OHMS
  - TURNS RATIO (CHIP:CABLE): TX = 1:1, RX = 1:1
  - OPEN CIRCUIT INDUCTANCE (OCL): 350uH MIN @100kHz, 0.1VRMS, 8mADC BIAS FROM 0°C TO 70°C, TX AND RX
  - PERFORMANCE @ 25°C:
    - INSERTION LOSS (IL): 1.1dB MAX FROM 0.5MHz TO 100MHz
    - RETURN LOSS (RL): 18dB MIN FROM 0.5MHz TO 30MHz
    - 18-20LOG(f/30)dB MIN FROM 30.1MHz TO 60MHz
    - 12dB MIN FROM 60.1MHz TO 80MHz
    - CROSSTALK ATTENUATION: 35dB MIN FROM 0.5MHz TO 40MHz
    - 33-20LOG(f/50)dB MIN FROM 40.1MHz TO 100MHz
    - COMMON MODE REJECTION RATIO (CMRR): 30dB MIN FROM 0.5MHz TO 100MHz
    - ISOLATION VOLTAGE: COMPLIES WITH IEEE802.3 2002, PARA 23.5.1.1, ITEM b.
- OPERATING TEMPERATURE: FROM 0° - +70°C.
- LED COMPLIANT WITH IEC60825-1 SAFETY OF LASER PRODUCTS. WHEN OPERATED UP TO 20 mA.
- INDICATED CONNECTIONS ARE FOR NIC CONFIGURATION. THE MAGNETICS ARE SYMMETRICAL, AND THEREFORE DOES SUPPORT AUTO-MDI/MDIX.
- LED PEAK WAVELENGTH: GREEN(λ) = 565nm  
YELLOW(λ) = 585nm
- THESE 250 OHM RESISTORS ARE INCLUDED IN THE LEDS ON 1-6605702-1, 5-6605702-1 AND 6-6605702-1 ONLY.
- TRADEMARK, PART NUMBER, DATE CODE, COUNTRY OF ORIGIN AND AGENCY APPROVAL MARKING IN APPROXIMATE LOCATION AS SHOWN.

DIMENSION A	DECOUPLING CAPACITOR	LED1	LED2	PART NUMBER
.145±.010	YES	GREEN	GREEN	6-6605702-1
.145±.010	YES	GREEN	GREEN	5-6605702-7
.145±.010	YES	GREEN/YELLOW	GREEN/YELLOW	5-6605702-6
.145±.010	YES	GREEN	YELLOW	5-6605702-1
.100±.010	YES	GREEN/YELLOW	GREEN/YELLOW	2-6605702-6
.145±.010	NO	GREEN	GREEN	1-6605702-1

THIS DRAWING IS A CONTROLLED DOCUMENT.		BY: R.GRZYBOWSKI		Tyco Electronics Corporation	
OR: D.FAROLE		Tyco Electronics Corporation		ChangPing, China	
DIMENSIONS: INCHES		TOLERANCES UNLESS OTHERWISE SPECIFIED:		1X1 MAG45(TM), MODULAR JACK, 7N7 SCHEMATIC, 706 SERIES CIRCUIT, SHIELDED, OPTIONAL DECOUPLING CAPACITOR, WITH LEDS	
0 PLC	± .005	APPRO	± .010	SIZE	A1
1 PLC	± .010	PRODUCT SPEC	± .010	SCALE	NTS
2 PLC	± .015	APPLICATION SPEC	± .015	WEIGHT	00779
3 PLC	± .020		± .020	DRAWING NO	C=6605702
4 PLC	± .025		± .025	RESTRICTED TO	
5 PLC	± .030		± .030	CUSTOMER DRAWING	
6 PLC	± .035		± .035	SCALE	NTS
7 PLC	± .040		± .040	SHEET	1 OF 1
8 PLC	± .045		± .045	REV	C